
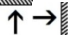
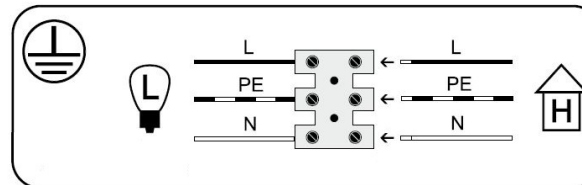
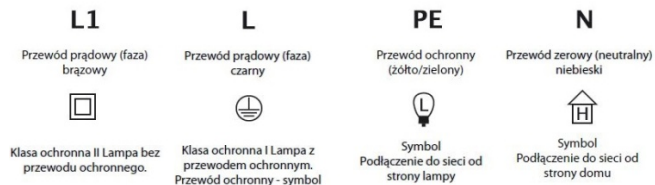




**INSTRUCTIONS FOR SAFETY  
WHEN INSTALLING AND USING THE LUMINAIRE  
"FOGO AND OTHERS WITH CONCURRING CONSTRUCTIONS AND ASSEMBLY"**

1. FOGO luminaires are intended for use in residential premises. 
2. **The luminaire may be installed and connected only by a person authorized to work with electrical equipment.**
3. During installation, the applicable laws and standards must be observed..
4. Before the installation, it is necessary to check whether there is already a pre-installed electrical, gas or water supply in the place where the fitting is to be installed (wall / ceiling). 
5. **NOTE! Before starting assembly works, switch off the mains voltage - unscrew (switch off) the fuse.**
6. With a voltage tester, we check if there is a "phase" in the cables - holding the wire by the insulation, put the tester on the ends of the cables without insulation. If the cable is connected to the voltage, the tester's neon will light up, if the mains voltage has been correctly disconnected - the tester's neon will not light up. ATTENTION! To make sure that the voltage tester is working properly, let's first check the wire that you are sure is phase wire. This will give us confidence that the tool is working properly. After turning off the voltage in the network and checking with a tester whether it is for sure turned off, you can start installing the luminaire.
7. If the cable coming from the wall / ceiling has a cube, unscrew it and dismantle it..
8. Dismantle the element that fixes the wall lamp to the wall / ceiling. By unscrewing the screws on the sides of the box (fig. 1)..
9. Mark the place where the plug is to be installed with a pencil (Fig. 2). A drill will be needed for drilling, the thickness of the drill should be selected according to the wall plug to be installed. The size of the pin can be checked on the outside of the top of the pin and is marked with a number and is labeled on the bottom of the drill bit that goes into the drill head. We can proceed to drilling (Fig. 3).
10. After drilling, insert the plastic part of the expansion plug into the hole (fig. 4).
11. Put the fixing element to the wall / ceiling so that the holes in the element coincide with the holes in the plugs. By screwing in the screws attached to the plugs with a screwdriver (fig. 5).
12. The most important part of the assembly is the connection of the wires coming from the ceiling (wall) with the cube located in the ceiling of the lamp. In the case of the Fogo luminaire, the cube has three places to connect the wires.

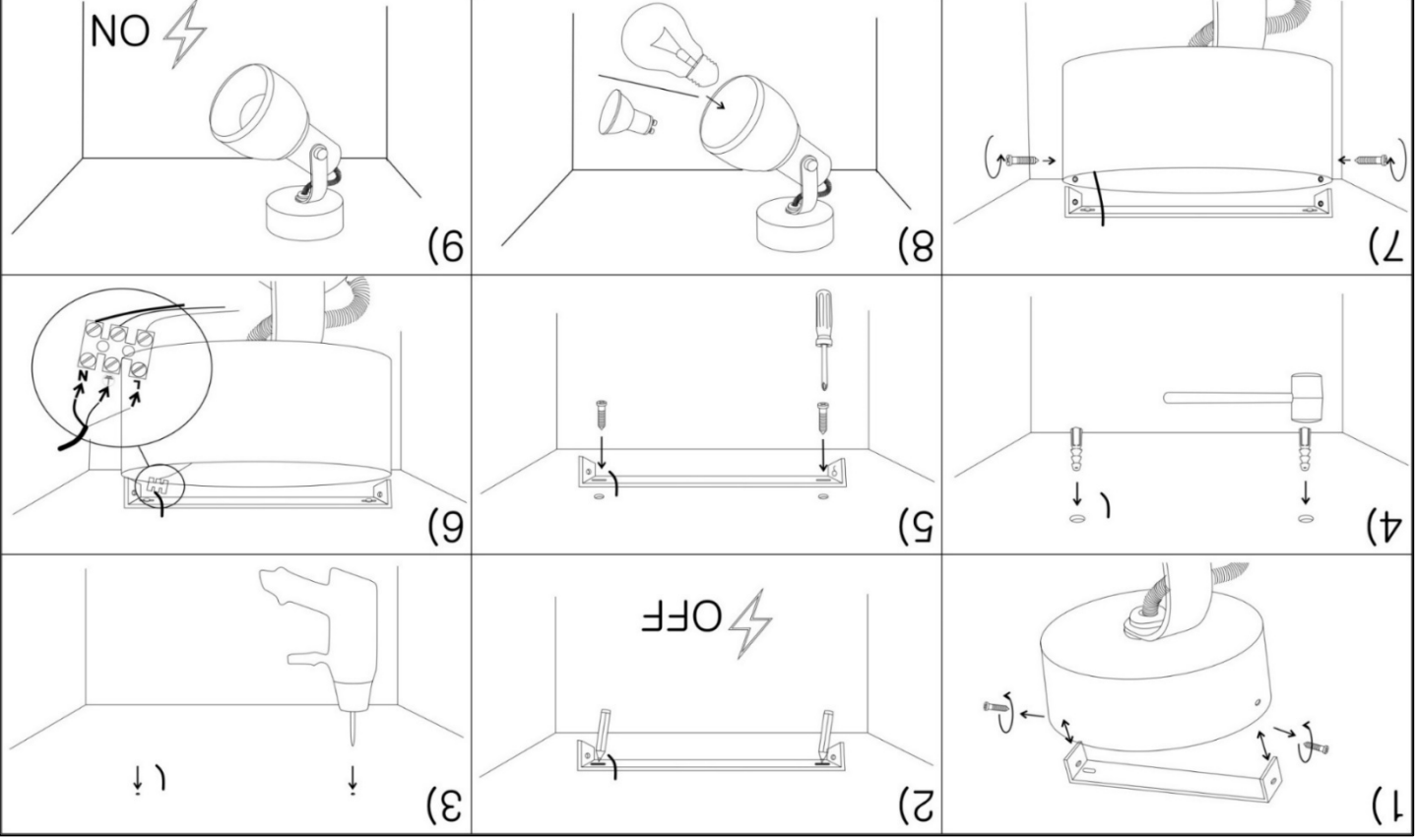


13. The yellow-green wire coming from the ceiling always means grounding the fitting, we install it in the middle place in the cube, ie connect it to the yellow-green wire coming from the fitting. Then connect the blue wires, i.e. the neutral wires, in the cube. The last step is to connect the phase wires (they can be black or brown).
14. We keep the principle of connecting cables with colors, ie yellow-green to yellow-green, blue to blue, black to black, and brown to brown (fig. 6).
15. After connecting the cubes, add the soffit to the ceiling by tightening the fixing screws on the sides of the assembly (fig. 7).
16. Connect the light source to the assembly in accordance with the information on the label about the maximum power of the light source (fig. 8).
17. Connect the fuses and check the operation of the fitting. The installation is completed, the luminaire is ready to operate indoors (Fig. 9).

**NECESSARY TOOLS: drill, rubber hammer, screwdriver / screwdriver, tape measure, pencil, mounting pins, tension tester**

**W przypadku montażu:** Amaretto: 3291, 3293, 3292; Avila: 3732, 3716; Barcelona: 297, Camelot 3358, Carlo 315 316, Diana 3362, Vermouth 3289 3290 3392 3391, Tros 369 255, Ancora 237, Zakynthos 3546 3547 3545, Sparta 500, Tolo 415

After executing the command (point 13) Install the lampshade, screwing it on with a plastic nut, and then connect the light source..



Instrukcja do modeli: Alabama: 1375, 1662, 3833, 822, 1661, 821, 3876, 1374, 1660, 3875, 820, 1373, Amarett: 3291, 3293, 3292; Ancora: 237; Avila: 3732, 3716; Barcelona: 297; Belfast: 4052, 4053, 4054, 4055, 856, 857, 858, 1439, 1440, 1441, 1442; Bolzano: 3908, 3909, 3910; Camelot: 3358; Carlo: 315, 316; Castello: 624, 625; Cejlon: 3067, 647, 1179, 1570, 3066, 646, 1181, 1568, 3068, 648, 1182, 1571; Clava: 4275; Como: 3906; Corso: 3879, 3882, 3878, 3883; Diana: 3362; Dora: 4264, 4265, 4315, 925, 926, 927; Eina: 3608, 3609, 3610, 3611, 3612, 3613; Eufiat: 3235, 3172, 3182, 3183, 3184, 3185, 676, 677, 678, 679, 671, 702; Faro: 3779, 3780, 3781, 3782, 3783, 3784; Foggo: 762, 764, 761, 765, 774, 1293, 1294, 1295, 1296, 1309, 3585, 3586, 3587, 3588, 3601; Frida: 3986, 3987, 838, 839; Herman: 4279, 4300, 4280, 4267, 1491; Kaser: 4295, 4340, 4293, 4294; Kolumbia: 3593, 3794, 3911, 809, 810, 827, 1386, 1387, 1388, 1669, 1670; Kansas: 3829, 818, 1658, 1659, 1368, 819, 3830; Kongo: 3174, 3175, 3176, 3177, 672, 673, 674, 675; Kos: 3518, 3519, 3520, 3521, 3522, 3600, 748, 749, 750, 751, 753, 773, 1261, 1262, 1263, 1264, 1308; Lagos: 4208, 4209, 4210, 889, 890, 891, 1474, 1475, 1476, 1688, 1689, 1690; Lukka: 3889, 3893; Marbella: 4255, 4254; Metis: 4296; Mitos: 909, 910, 911, 912, 913; Nevada: 3810, 3812, 3814; Nil: 3487, 3488, 3634, 3637, 741, 742, 780, 782, 783, 1320, 1321, 1322, 1324, 1325; Ohio: 3869, 3870, 3871, 3863, 3864, 3865, 3866, 3867, 3868; Oregon: 3860, 3861, 3862, 3858, 3859, 3854, 3855, 3856; Ohnoko: 469, 641, 1173, 470, 643, 1175, 471, 642, 1174, 472, 644, 1176; Polaris: 3817, 3819, 3821; Ponte: 4347, 4348, 4349; Portnyko: 3598, 3599, 771, 772, 1306, 1307; Skiatos: 914, 915, 916, 917, 918; Sparta: 500, 501; Tolo: 415; Tros: 369, 255; Tuluzza: 3796; Vermouth: 3289, 3290, 3392.